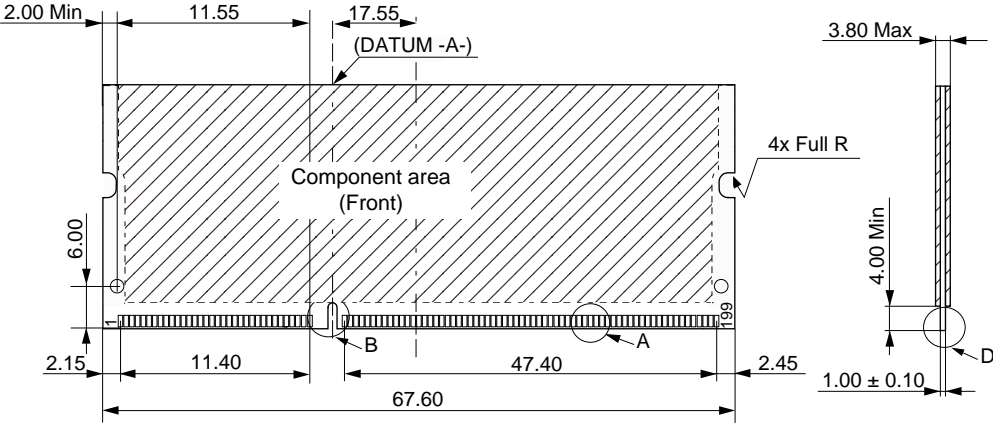


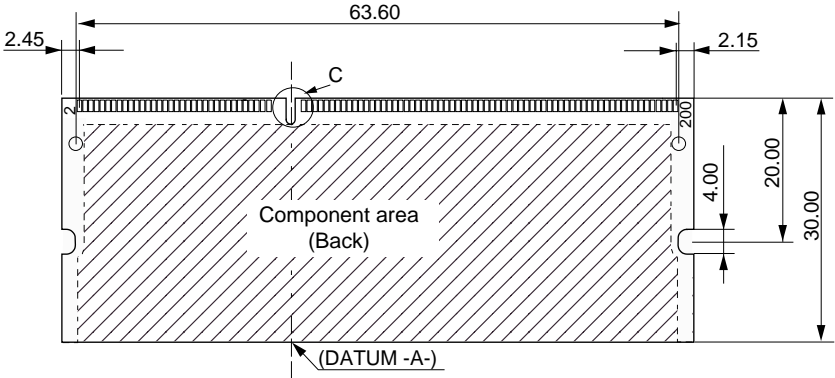
Physical Outline

Unit: mm

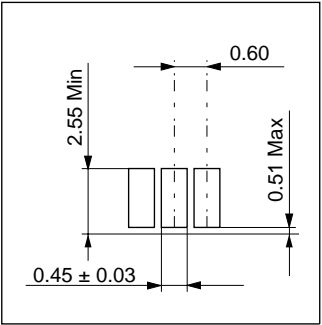
Front side



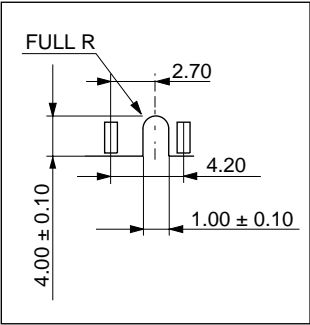
Back side



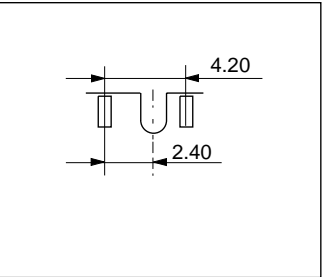
Detail A



Detail B



Detail C



Detail D

