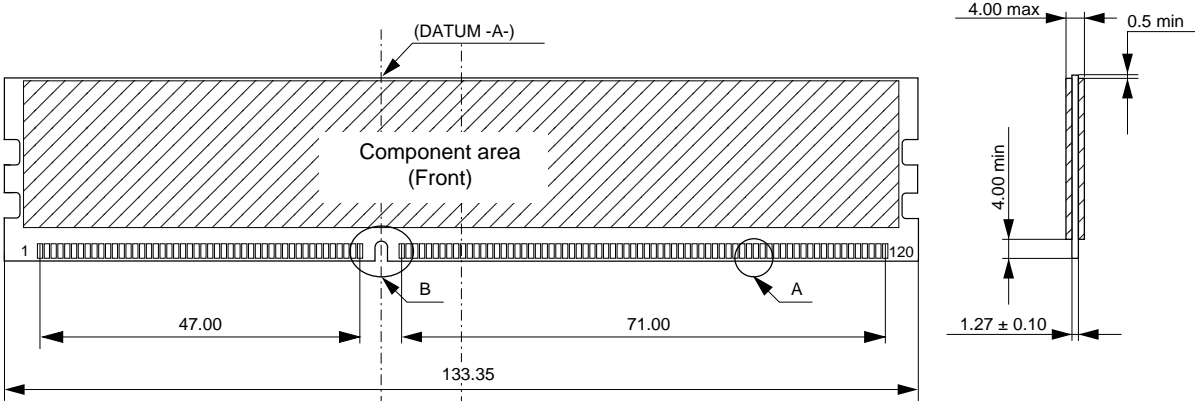


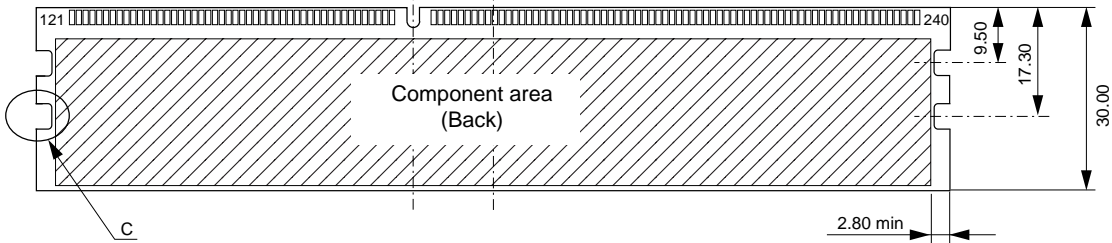
Physical Outline

Unit: mm

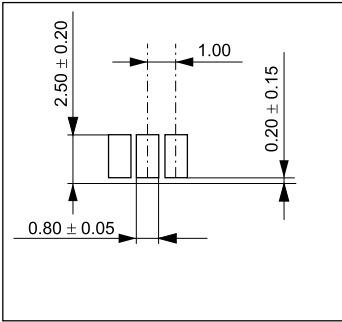
Front side



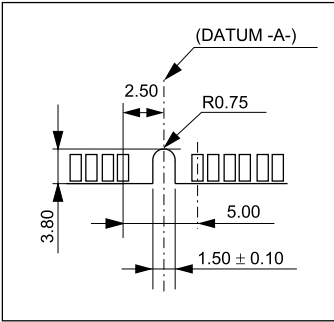
Back side



Detail A



Detail B



Detail C

