

4GB Registered DDR3 SDRAM DIMM

EBJ42HE8BAFA (512M words × 72 bits, 4 Ranks)

Specifications

- Density: 4GB
- Organization
 - 512M words × 72 bits, 4 ranks
- Mounting 36 pieces of 1G bits DDR3 SDRAM sealed in FBGA
- Package: 240-pin socket type dual in line memory module (DIMM)
 - PCB height: 30.5mm (max.)
 - Lead pitch: 1.0mm
 - Lead-free (RoHS compliant)
- Power supply: VDD = 1.5V ± 0.075V
- Data rate: 1066Mbps/800Mbps (max.)
- Eight internal banks for concurrent operation (components)
- Interface: SSTL_15
- Burst lengths (BL): 8 and 4 with Burst Chop (BC)
- /CAS Latency (CL): 6, 7, 8
- /CAS write latency (CWL): 5, 6
- Precharge: auto precharge option for each burst access
- Refresh: auto-refresh, self-refresh
- Refresh cycles
 - Average refresh period
 - 7.8μs at 0°C ≤ TC ≤ +85°C
 - 3.9μs at +85°C < TC ≤ +95°C
- Operating case temperature range
 - TC = 0°C to +95°C

Features

- Double-data-rate architecture; two data transfers per clock cycle
- The high-speed data transfer is realized by the 8 bits prefetch pipelined architecture
- Bi-directional differential data strobe (DQS and /DQS) is transmitted/received with data for capturing data at the receiver
- DQS is edge-aligned with data for READs; center-aligned with data for WRITEs
- Differential clock inputs (CK and /CK)
- DLL aligns DQ and DQS transitions with CK transitions
- Commands entered on each positive CK edge; data and data mask referenced to both edges of DQS
- Data mask (DM) for write data
- Posted /CAS by programmable additive latency for better command and data bus efficiency
- On-Die-Termination (ODT) for better signal quality
 - Synchronous ODT
 - Dynamic ODT
 - Asynchronous ODT
- Multi Purpose Register (MPR) for temperature read out
- ZQ calibration for DQ drive and ODT
- Programmable Partial Array Self-Refresh (PASR)
- /RESET pin for Power-up sequence and reset function
- SRT range:
 - Normal/extended
 - Auto/manual self-refresh
- Programmable Output driver impedance control
- 1 piece of registering clock driver and 1 piece of serial EEPROM (256 bytes EEPROM) for Presence Detect (PD).
- Class B temperature sensor functionality with EEPROM

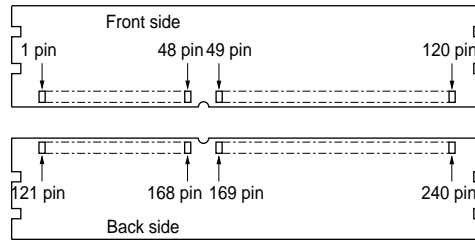
Note: Warranty void if removed DIMM heat spreader.

Ordering Information

| Part number | Data rate Mbps(max.) | Component JEDEC speed bin* ¹ (CL-tRCD-tRP) | Package | Contact pad | Mounted devices |
|-------------------|-------------------------|---|-----------------------------|----------------|--|
| EBJ42HE8BAFA-AE-E | 1066 | DDR3-1066F (7-7-7) | 240-pin DIMM (lead-free) | Gold | EDJ1108BASE-DG-E EDJ1108BASE-DJ-E EDJ1108BASE-AE-E |
| EBJ42HE8BAFA-8C-E | 800 | DDR3-800E (6-6-6) | | | EDJ1108BASE-DG-E EDJ1108BASE-DJ-E EDJ1108BASE-AE-E EDJ1108BASE-AG-E EDJ1108BASE-8A-E EDJ1108BASE-8C-E |

Note: 1. Module /CAS latency = component CL + 1.

Pin Configurations



| Pin No. | Pin name | Pin No. | Pin name | Pin No. | Pin name | Pin No. | Pin name |
|---------|----------|---------|----------|---------|-------------|---------|-------------|
| 1 | VREFDQ | 61 | A2 | 121 | VSS | 181 | A1 |
| 2 | VSS | 62 | VDD | 122 | DQ4 | 182 | VDD |
| 3 | DQ0 | 63 | CK1 | 123 | DQ5 | 183 | VDD |
| 4 | DQ1 | 64 | /CK1 | 124 | VSS | 184 | CK0 |
| 5 | VSS | 65 | VDD | 125 | DM0/TDQS9 | 185 | /CK0 |
| 6 | /DQS0 | 66 | VDD | 126 | NU/ /TDQS9 | 186 | VDD |
| 7 | DQS0 | 67 | VREFCA | 127 | VSS | 187 | /EVENT |
| 8 | VSS | 68 | Par_In | 128 | DQ6 | 188 | A0 |
| 9 | DQ2 | 69 | VDD | 129 | DQ7 | 189 | VDD |
| 10 | DQ3 | 70 | A10(AP) | 130 | VSS | 190 | BA1 |
| 11 | VSS | 71 | BA0 | 131 | DQ12 | 191 | VDD |
| 12 | DQ8 | 72 | VDD | 132 | DQ13 | 192 | /RAS |
| 13 | DQ9 | 73 | /WE | 133 | VSS | 193 | /CS0 |
| 14 | VSS | 74 | /CAS | 134 | DM1/TDQS10 | 194 | VDD |
| 15 | /DQS1 | 75 | VDD | 135 | NU/ /TDQS10 | 195 | ODT0 |
| 16 | DQS1 | 76 | /CS1 | 136 | VSS | 196 | A13 |
| 17 | VSS | 77 | ODT1 | 137 | DQ14 | 197 | VDD |
| 18 | DQ10 | 78 | VDD | 138 | DQ15 | 198 | /CS3 |
| 19 | DQ11 | 79 | /CS2 | 139 | VSS | 199 | VSS |
| 20 | VSS | 80 | VSS | 140 | DQ20 | 200 | DQ36 |
| 21 | DQ16 | 81 | DQ32 | 141 | DQ21 | 201 | DQ37 |
| 22 | DQ17 | 82 | DQ33 | 142 | VSS | 202 | VSS |
| 23 | VSS | 83 | VSS | 143 | DM2/TDQS11 | 203 | DM4/TDQS13 |
| 24 | /DQS2 | 84 | /DQS4 | 144 | NU/ /TDQS11 | 204 | NU/ /TDQS13 |
| 25 | DQS2 | 85 | DQS4 | 145 | VSS | 205 | VSS |
| 26 | VSS | 86 | VSS | 146 | DQ22 | 206 | DQ38 |
| 27 | DQ18 | 87 | DQ34 | 147 | DQ23 | 207 | DQ39 |
| 28 | DQ19 | 88 | DQ35 | 148 | VSS | 208 | VSS |
| 29 | VSS | 89 | VSS | 149 | DQ28 | 209 | DQ44 |
| 30 | DQ24 | 90 | DQ40 | 150 | DQ29 | 210 | DQ45 |
| 31 | DQ25 | 91 | DQ41 | 151 | VSS | 211 | VSS |
| 32 | VSS | 92 | VSS | 152 | DM3/TDQS12 | 212 | DM5/TDQS14 |
| 33 | /DQS3 | 93 | /DQS5 | 153 | NU/ /TDQS12 | 213 | NU/ /TDQS14 |
| 34 | DQS3 | 94 | DQS5 | 154 | VSS | 214 | VSS |
| 35 | VSS | 95 | VSS | 155 | DQ30 | 215 | DQ46 |
| 36 | DQ26 | 96 | DQ42 | 156 | DQ31 | 216 | DQ47 |

| Pin No. | Pin name | Pin No. | Pin name | Pin No. | Pin name | Pin No. | Pin name |
|---------|----------|---------|----------|---------|------------|---------|------------|
| 37 | DQ27 | 97 | DQ43 | 157 | VSS | 217 | VSS |
| 38 | VSS | 98 | VSS | 158 | CB4 | 218 | DQ52 |
| 39 | CB0 | 99 | DQ48 | 159 | CB5 | 219 | DQ53 |
| 40 | CB1 | 100 | DQ49 | 160 | VSS | 220 | VSS |
| 41 | VSS | 101 | VSS | 161 | DM8/TDQS17 | 221 | DM6/TDQS15 |
| 42 | /DQS8 | 102 | /DQS6 | 162 | NU//TDQS17 | 222 | NU//TDQS15 |
| 43 | DQS8 | 103 | DQS6 | 163 | VSS | 223 | VSS |
| 44 | VSS | 104 | VSS | 164 | CB6 | 224 | DQ54 |
| 45 | CB2 | 105 | DQ50 | 165 | CB7 | 225 | DQ55 |
| 46 | CB3 | 106 | DQ51 | 166 | VSS | 226 | VSS |
| 47 | VSS | 107 | VSS | 167 | NC | 227 | DQ60 |
| 48 | VTT | 108 | DQ56 | 168 | /RESET | 228 | DQ61 |
| 49 | VTT | 109 | DQ57 | 169 | CKE1 | 229 | VSS |
| 50 | CKE0 | 110 | VSS | 170 | VDD | 230 | DM7/TDQS16 |
| 51 | VDD | 111 | /DQS7 | 171 | A15 | 231 | NU//TDQS16 |
| 52 | BA2 | 112 | DQS7 | 172 | A14 | 232 | VSS |
| 53 | /Err_Out | 113 | VSS | 173 | VDD | 233 | DQ62 |
| 54 | VDD | 114 | DQ58 | 174 | A12 | 234 | DQ63 |
| 55 | A11 | 115 | DQ59 | 175 | A9 | 235 | VSS |
| 56 | A7 | 116 | VSS | 176 | VDD | 236 | VDDSPD |
| 57 | VDD | 117 | SA0 | 177 | A8 | 237 | SA1 |
| 58 | A5 | 118 | SCL | 178 | A6 | 238 | SDA |
| 59 | A4 | 119 | SA2 | 179 | VDD | 239 | VSS |
| 60 | VDD | 120 | VTT | 180 | A3 | 240 | VTT |

Pin Description

| Pin name | Function |
|------------------------------------|---|
| A0 to A15 | Address input Row address A0 to A13 Column address A0 to A9 |
| A10 (AP) | Auto precharge |
| A12 (/BC) | Burst chop |
| BA0, BA1, BA2 | Bank select address |
| DQ0 to DQ63 | Data input/output |
| CB0 to CB7 | Check bit (Data input/output) |
| /RAS | Row address strobe command |
| /CAS | Column address strobe command |
| /WE | Write enable |
| /CS0 to /CS3 | Chip select |
| CKE0, CKE1 | Clock enable |
| CK0, CK1 | Clock input |
| /CK0, /CK1 | Differential clock input |
| DQS0 to DQS8, /DQS0 to /DQS8 | Input and output data strobe |
| TDQS9 to TDQS17, /TDQS9 to /TDQS17 | Termination data strobe |
| DM0 to DM8 | Input mask |
| SCL | Clock input for serial PD |
| SDA | Data input/output for serial PD |
| SA0, SA1, SA2 | Serial address input |
| VDD | Power for internal circuit |
| VDDSPD | Power for serial EEPROM |
| VREFCA | Reference voltage for CA |
| VREFDQ | Reference voltage for DQ |
| VSS | Ground |
| VTT | Termination Voltage |
| /RESET | Set DRAM to known state |
| ODT0, ODT1 | ODT control |
| Par_In | Parity bit for the Address and Control bus |
| /Err_Out | Parity error found on the Address and Control bus |
| /Event | Temperature event pin |
| NC | No connection |
| NU | Not usable |

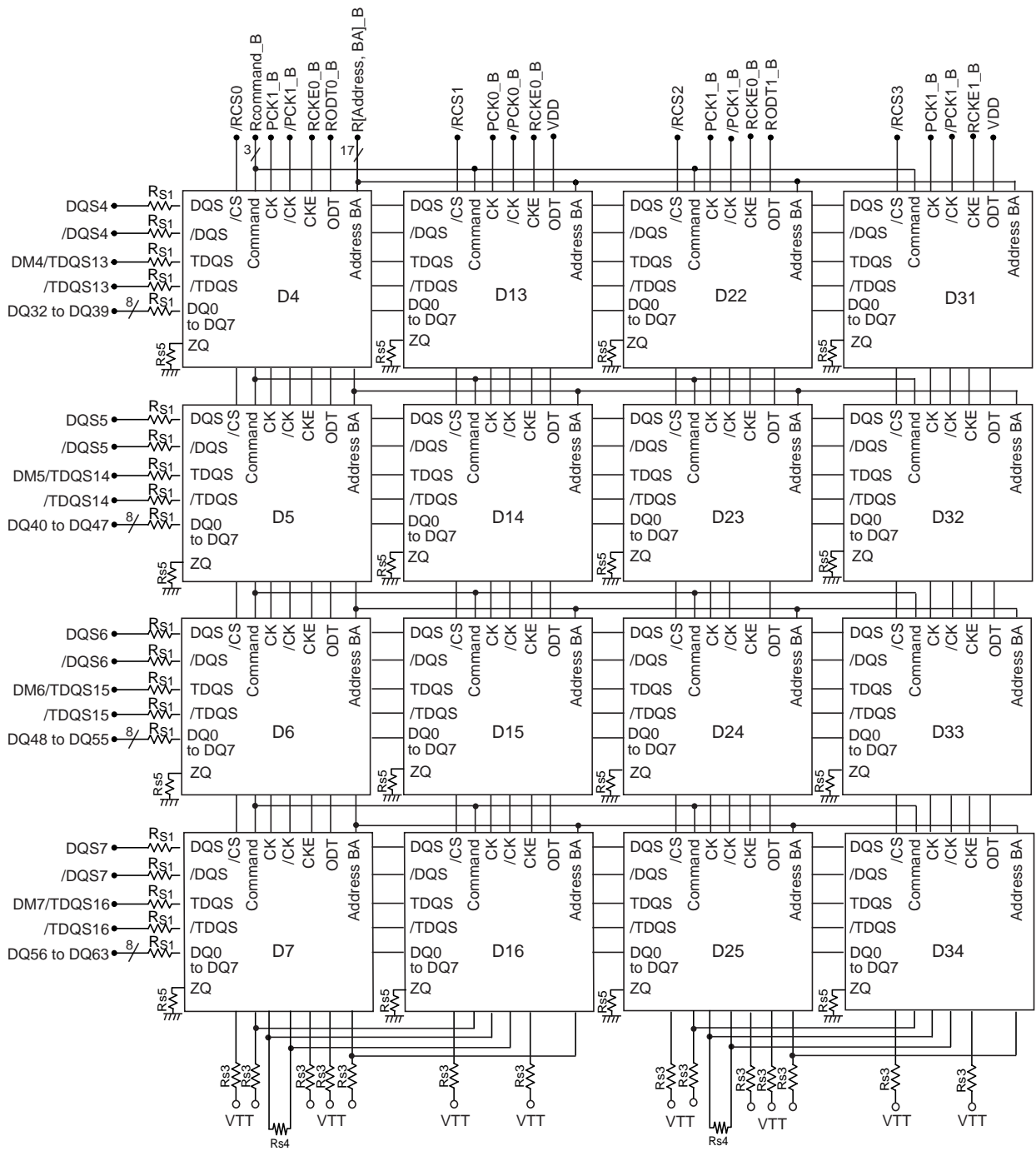
Serial PD Matrix

| Byte No. | Function described | Bit7 | Bit6 | Bit5 | Bit4 | Bit3 | Bit2 | Bit1 | Bit0 | Hex value | Comments |
|----------|--|------|------|------|------|------|------|------|------|-----------|---------------------|
| 0 | Number of serial PD bytes written/SPD device size/CRC coverage | 1 | 0 | 0 | 1 | 0 | 0 | 1 | 0 | 92H | 176/256/0-116 |
| 1 | SPD revision | 0 | 0 | 0 | 1 | 0 | 0 | 0 | 0 | 10H | Revision 1.0 |
| 2 | Key byte/DRAM device type | 0 | 0 | 0 | 0 | 1 | 0 | 1 | 1 | 0BH | DDR3 SDRAM |
| 3 | Key byte/module type | 0 | 0 | 0 | 0 | 0 | 0 | 0 | 1 | 01H | Registered |
| 4 | SDRAM density and banks | 0 | 0 | 0 | 0 | 0 | 0 | 1 | 0 | 02H | 1G bits, 8 banks |
| 5 | SDRAM addressing | 0 | 0 | 0 | 1 | 0 | 0 | 0 | 1 | 11H | 14 rows, 10 columns |
| 6 | Module nominal voltage, VDD | 0 | 0 | 0 | 0 | 0 | 0 | 0 | 0 | 00H | 1.5V |
| 7 | Module organization | 0 | 0 | 0 | 1 | 1 | 0 | 0 | 1 | 19H | 4 ranks/x8 bits |
| 8 | Module memory bus width | 0 | 0 | 0 | 0 | 1 | 0 | 1 | 1 | 0BH | 72 bits/ECC |
| 9 | Fine timebase (FTB) dividend/divisor | 0 | 1 | 0 | 1 | 0 | 0 | 1 | 0 | 52H | 5/2 |
| 10 | Medium timebase (MTB) dividend | 0 | 0 | 0 | 0 | 0 | 0 | 0 | 1 | 01H | 1 |
| 11 | Medium timebase (MTB) divisor | 0 | 0 | 0 | 0 | 1 | 0 | 0 | 0 | 08H | 8 |
| 12 | SDRAM minimum cycle time (tCK (min.)) -AE | 0 | 0 | 0 | 0 | 1 | 1 | 1 | 1 | 0FH | 1.875ns |
| | -8C | 0 | 0 | 0 | 1 | 0 | 1 | 0 | 0 | 14H | 2.5ns |
| 13 | Reserved | 0 | 0 | 0 | 0 | 0 | 0 | 0 | 0 | 00H | — |
| 14 | SDRAM /CAS latencies supported, LSB -AE | 0 | 0 | 0 | 1 | 1 | 1 | 0 | 0 | 1CH | CL = 6, 7, 8 |
| | -8C | 0 | 0 | 0 | 0 | 0 | 1 | 0 | 0 | 04H | CL = 6 |
| 15 | SDRAM /CAS latencies supported, MSB | 0 | 0 | 0 | 0 | 0 | 0 | 0 | 0 | 00H | — |
| 16 | SDRAM minimum /CAS latencies time (tAA (min.)) -AE | 0 | 1 | 1 | 0 | 1 | 0 | 0 | 1 | 69H | 13.125ns |
| | -8C | 0 | 1 | 1 | 1 | 1 | 0 | 0 | 0 | 78H | 15ns |
| 17 | SDRAM write recovery time (tWR) | 0 | 1 | 1 | 1 | 1 | 0 | 0 | 0 | 78H | 15ns |
| 18 | SDRAM minimum /RAS to /CAS delay (tRCD) -AE | 0 | 1 | 1 | 0 | 1 | 0 | 0 | 1 | 69H | 13.125ns |
| | -8C | 0 | 1 | 1 | 1 | 1 | 0 | 0 | 0 | 78H | 15ns |
| 19 | SDRAM minimum row active to row active delay (tRRD) -AE | 0 | 0 | 1 | 1 | 1 | 1 | 0 | 0 | 3CH | 7.5ns |
| | -8C | 0 | 1 | 0 | 1 | 0 | 0 | 0 | 0 | 50H | 10ns |
| 20 | SDRAM minimum row precharge time (tRP) -AE | 0 | 1 | 1 | 0 | 1 | 0 | 0 | 1 | 69H | 13.125ns |
| | -8C | 0 | 1 | 1 | 1 | 1 | 0 | 0 | 0 | 78H | 15ns |
| 21 | SDRAM upper nibbles for tRAS and tRC | 0 | 0 | 0 | 1 | 0 | 0 | 0 | 1 | 11H | |
| 22 | SDRAM minimum active to precharge time (tRAS), LSB | 0 | 0 | 1 | 0 | 1 | 1 | 0 | 0 | 2CH | 37.5ns |
| 23 | SDRAM minimum active to active /auto-refresh time (tRC), LSB -AE | 1 | 0 | 0 | 1 | 0 | 1 | 0 | 1 | 95H | 50.625ns |
| | -8C | 1 | 0 | 1 | 0 | 0 | 1 | 0 | 0 | A4H | 52.5ns |
| 24 | SDRAM minimum refresh recovery time delay (tRFC), LSB | 0 | 1 | 1 | 1 | 0 | 0 | 0 | 0 | 70H | 110ns |

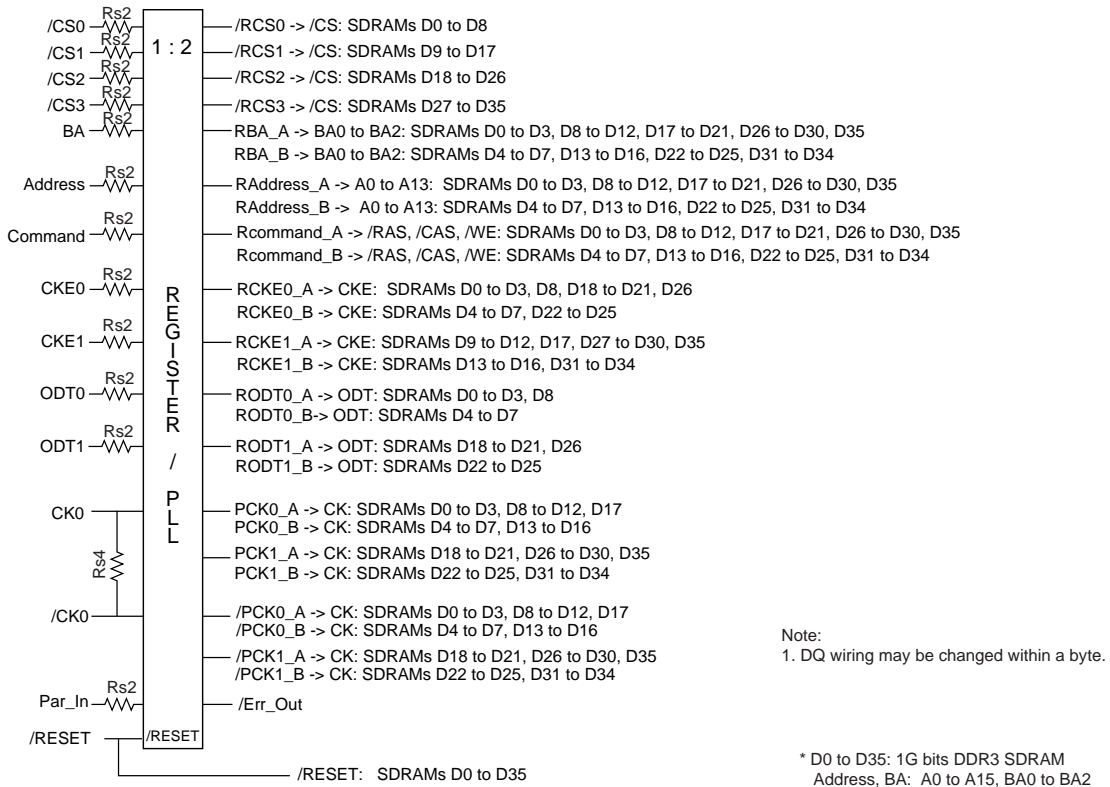
| Byte No. | Function described | Bit7 | Bit6 | Bit5 | Bit4 | Bit3 | Bit2 | Bit1 | Bit0 | Hex value | Comments |
|-----------|---|------|------|------|------|------|------|------|------|-----------|--|
| 25 | SDRAM minimum refresh recovery time delay (tRFC), MSB | 0 | 0 | 0 | 0 | 0 | 0 | 1 | 1 | 03H | 110ns |
| 26 | SDRAM minimum internal write to read command delay (tWTR) | 0 | 0 | 1 | 1 | 1 | 1 | 0 | 0 | 3CH | 7.5ns |
| 27 | SDRAM minimum internal read to precharge command delay (tRTP) | 0 | 0 | 1 | 1 | 1 | 1 | 0 | 0 | 3CH | 7.5ns |
| 28 | Upper nibble for tFAW | 0 | 0 | 0 | 0 | 0 | 0 | 0 | 1 | 01H | 37.5ns |
| 29 | Minimum four activate window delay time (tFAW) -AE | 0 | 0 | 1 | 0 | 1 | 1 | 0 | 0 | 2CH | 37.5ns |
| | -8C | 0 | 1 | 0 | 0 | 0 | 0 | 0 | 0 | 40H | 40ns |
| 30 | SDRAM output drivers supported | 1 | 0 | 0 | 0 | 0 | 0 | 1 | 1 | 83H | DLL-off, RZQ/6, 7 |
| 31 | SDRAM refresh options | 1 | 0 | 0 | 0 | 0 | 0 | 0 | 1 | 81H | PASR/2X refresh rate at +85°C to +95°C |
| 32 | Module thermal sensor | 1 | 0 | 0 | 0 | 0 | 0 | 0 | 0 | 80H | Incorporated |
| 33 | SDRAM device type | 0 | 0 | 0 | 0 | 0 | 0 | 0 | 0 | 00H | Standard |
| 34 to 59 | Reserved | 0 | 0 | 0 | 0 | 0 | 0 | 0 | 0 | 00H | — |
| 60 | Module nominal height | 0 | 0 | 0 | 1 | 0 | 0 | 0 | 0 | 10H | 30 < height ≤ 31mm |
| 61 | Module maximum thickness | 0 | 0 | 1 | 1 | 0 | 0 | 1 | 1 | 33H | |
| 62 | Reference raw card used | 0 | 0 | 0 | 0 | 0 | 1 | 1 | 1 | 07H | Raw card H |
| 63 | DIMM module attributes | 0 | 0 | 0 | 0 | 1 | 0 | 0 | 1 | 09H | 2row/1register |
| 64 | Heat spreader solution | 1 | 0 | 0 | 0 | 0 | 0 | 0 | 0 | 80H | Incorporated |
| 65 | Register vender ID (LSB) (Inphi) | 0 | 0 | 0 | 0 | 0 | 1 | 0 | 0 | 04H | Naming bank = 5 |
| | (TI) | 1 | 0 | 0 | 0 | 0 | 0 | 0 | 0 | 80H | Naming bank = 1 |
| 66 | Register vender ID (MSB) (Inphi) | 1 | 0 | 1 | 1 | 0 | 0 | 1 | 1 | B3H | Actual ID |
| | (TI) | 1 | 0 | 0 | 1 | 0 | 1 | 1 | 1 | 97H | |
| 67 | Register revision (Inphi) | 0 | 0 | 0 | 0 | 0 | 0 | 1 | 1 | 03H | Rev.4 |
| | (TI) | 0 | 0 | 0 | 1 | 1 | 1 | 0 | 1 | 1DH | Rev.3.1 |
| 68 | Register type | 0 | 0 | 0 | 0 | 0 | 0 | 0 | 0 | 00H | SSTE32882 |
| 69 | Register control word function (RC0, 1) | 0 | 0 | 0 | 0 | 0 | 0 | 0 | 0 | 00H | Default |
| 70 | Register control word function (RC2, 3) | 0 | 1 | 0 | 1 | 0 | 0 | 0 | 0 | 50H | Default |
| 71 | Register control word function (RC4, 5) | 0 | 1 | 0 | 1 | 0 | 1 | 0 | 1 | 55H | Default |
| 72 | Register control word function (RC6, 7) | 0 | 0 | 0 | 0 | 0 | 0 | 0 | 0 | 00H | Default |
| 73 | Register control word function (RC8, 9) | 0 | 0 | 0 | 0 | 0 | 0 | 0 | 0 | 00H | Default |
| 74 | Register control word function (RC10, 11) | 0 | 0 | 0 | 0 | 0 | 0 | 0 | 0 | 00H | Default |
| 75 | Register control word function (RC12, 13) | 0 | 0 | 0 | 0 | 0 | 0 | 0 | 0 | 00H | Default |
| 76 | Register control word function (RC14, 15) | 0 | 0 | 0 | 0 | 0 | 0 | 0 | 0 | 00H | Default |
| 77 to 116 | Module specific section | 0 | 0 | 0 | 0 | 0 | 0 | 0 | 0 | 00H | — |

| Byte No. | Function described | Bit7 | Bit6 | Bit5 | Bit4 | Bit3 | Bit2 | Bit1 | Bit0 | Hex value | Comments |
|------------|---|------|------|------|------|------|------|------|------|-----------|-----------------|
| 117 | Module ID: manufacturer's JEDEC ID code, LSB | 0 | 0 | 0 | 0 | 0 | 0 | 1 | 0 | 02H | Elpida Memory |
| 118 | Module ID: manufacturer's JEDEC ID code, MSB | 1 | 1 | 1 | 1 | 1 | 1 | 1 | 0 | FEH | Elpida Memory |
| 119 | Module ID: manufacturing location | × | × | × | × | × | × | × | × | × | |
| 120 | Module ID: manufacturing date | × | × | × | × | × | × | × | × | × | Year code (BCD) |
| 121 | Module ID: manufacturing date | × | × | × | × | × | × | × | × | × | Week code (BCD) |
| 122 to 125 | Module ID: module serial number | × | × | × | × | × | × | × | × | × | |
| 126 | Cyclical redundancy code (CRC) -AE (Inphi) | 1 | 0 | 0 | 1 | 0 | 0 | 1 | 0 | 92H | |
| | (TI) | 0 | 0 | 0 | 0 | 1 | 1 | 0 | 1 | 0DH | |
| | -8C (Inphi) | 0 | 0 | 0 | 0 | 1 | 0 | 1 | 0 | 0AH | |
| | (TI) | 1 | 0 | 0 | 1 | 0 | 1 | 0 | 1 | 95H | |
| 127 | Cyclical redundancy code (CRC) -AE (Inphi) | 0 | 0 | 0 | 1 | 0 | 0 | 1 | 1 | 13H | |
| | (TI) | 0 | 1 | 1 | 0 | 1 | 1 | 1 | 0 | 6EH | |
| | -8C (Inphi) | 0 | 1 | 0 | 0 | 1 | 0 | 1 | 0 | 4AH | |
| | (TI) | 0 | 0 | 1 | 1 | 0 | 1 | 1 | 1 | 37H | |
| 128 | Module part number | 0 | 1 | 0 | 0 | 0 | 1 | 0 | 1 | 45H | E |
| 129 | Module part number | 0 | 1 | 0 | 0 | 0 | 0 | 1 | 0 | 42H | B |
| 130 | Module part number | 0 | 1 | 0 | 0 | 1 | 0 | 1 | 0 | 4AH | J |
| 131 | Module part number | 0 | 0 | 1 | 1 | 0 | 1 | 0 | 0 | 34H | 4 |
| 132 | Module part number | 0 | 0 | 1 | 1 | 0 | 0 | 1 | 0 | 32H | 2 |
| 133 | Module part number | 0 | 1 | 0 | 0 | 1 | 0 | 0 | 0 | 48H | H |
| 134 | Module part number | 0 | 1 | 0 | 0 | 0 | 1 | 0 | 1 | 45H | E |
| 135 | Module part number | 0 | 0 | 1 | 1 | 1 | 0 | 0 | 0 | 38H | 8 |
| 136 | Module part number | 0 | 1 | 0 | 0 | 0 | 0 | 1 | 0 | 42H | B |
| 137 | Module part number | 0 | 1 | 0 | 0 | 0 | 0 | 0 | 1 | 41H | A |
| 138 | Module part number | 0 | 1 | 0 | 0 | 0 | 1 | 1 | 0 | 46H | F |
| 139 | Module part number | 0 | 1 | 0 | 0 | 0 | 0 | 0 | 1 | 41H | A |
| 140 | Module part number | 0 | 0 | 1 | 0 | 1 | 1 | 0 | 1 | 2DH | — |
| 141 | Module part number -AE | 0 | 1 | 0 | 0 | 0 | 0 | 0 | 1 | 41H | A |
| | -8C | 0 | 0 | 1 | 1 | 1 | 0 | 0 | 0 | 38H | 8 |
| 142 | Module part number -AE | 0 | 1 | 0 | 0 | 0 | 1 | 0 | 1 | 45H | E |
| | -8C | 0 | 1 | 0 | 0 | 0 | 0 | 1 | 1 | 43H | C |
| 143 | Module part number | 0 | 0 | 1 | 0 | 1 | 1 | 0 | 1 | 2DH | — |
| 144 | Module part number | 0 | 1 | 0 | 0 | 0 | 1 | 0 | 1 | 45H | E |

| Byte No. | Function described | Bit7 | Bit6 | Bit5 | Bit4 | Bit3 | Bit2 | Bit1 | Bit0 | Hex value | Comments |
|------------|---|------|------|------|------|------|------|------|------|-----------|---------------|
| 145 | Module part number | 0 | 0 | 1 | 0 | 0 | 0 | 0 | 0 | 20H | (Space) |
| 146 | Module revision code | 0 | 0 | 1 | 1 | 0 | 0 | 0 | 0 | 30H | Initial |
| 147 | Module revision code | 0 | 0 | 1 | 0 | 0 | 0 | 0 | 0 | 20H | (Space) |
| 148 | SDRAM manufacturer's JEDEC ID code, LSB | 0 | 0 | 0 | 0 | 0 | 0 | 1 | 0 | 02H | Elpida Memory |
| 149 | SDRAM manufacturer's JEDEC ID code, MSB | 1 | 1 | 1 | 1 | 1 | 1 | 1 | 0 | FEH | Elpida Memory |
| 150 to 175 | Manufacturer's specific data | 0 | 0 | 0 | 0 | 0 | 0 | 0 | 0 | 00H | |
| 176 to 255 | Open for customer use | | | | | | | | | | |

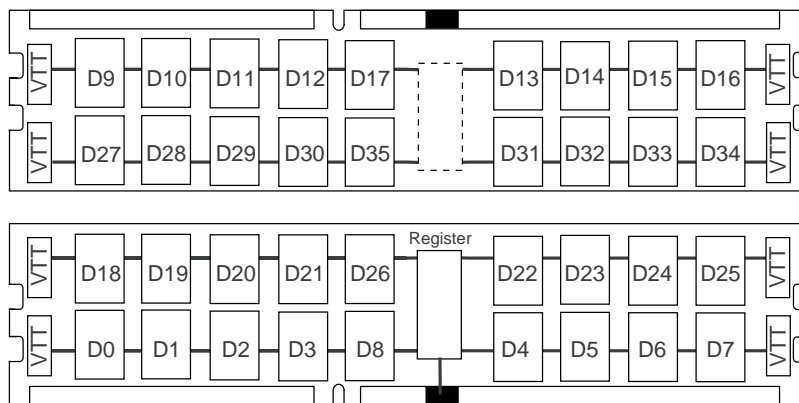
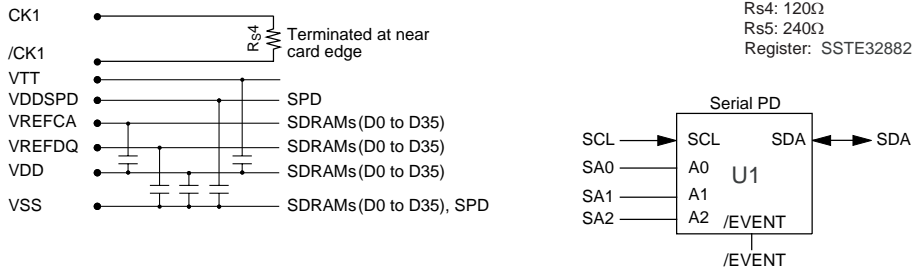


Block Diagram (2)



Note:
1. DQ wiring may be changed within a byte.

* D0 to D35: 1G bits DDR3 SDRAM
Address, BA: A0 to A15, BA0 to BA2
Command: /RAS, /CAS, /WE
U1: 256 bytes EEPROM
Rs1: 15Ω
Rs2: 22Ω
Rs3: 47Ω
Rs4: 120Ω
Rs5: 240Ω
Register: SSTE32882



———— Address, command and control line

Block Diagram (3)

Electrical Specifications

- All voltages are referenced to VSS (GND).

Absolute Maximum Ratings

| Parameter | Symbol | Value | Unit | Notes |
|------------------------------|--------|---------------------------|------|---------|
| Power supply voltage | VDD | -0.4 to +1.975 | V | 1, 3, 4 |
| Input voltage | VIN | -0.4 to +1.975 | V | 1, 4 |
| Output voltage | VOUT | -0.4 to +1.975 | V | 1, 4 |
| Reference voltage | VREFCA | -0.4 to $0.6 \times VDD$ | V | 3, 4 |
| Reference voltage for DQ | VREFDQ | -0.4 to $0.6 \times VDDQ$ | V | 3, 4 |
| Storage temperature | Tstg | -55 to +100 | °C | 1, 2, 4 |
| Power dissipation | PD | 9 | W | |
| Short circuit output current | IOUT | 50 | mA | 1, 4 |

Notes: 1. Stresses greater than those listed under Absolute Maximum Ratings may cause permanent damage to the device. This is a stress rating only and functional operation of the device at these or any other conditions above those indicated in the operational sections of this specification is not implied. Exposure to absolute maximum rating conditions for extended periods may affect reliability.

2. Storage temperature is the case surface temperature on the center/top side of the DRAM.
3. VDD and VDDQ must be within 300mV of each other at all times; and VREF must be not greater than $0.6 \times VDDQ$, When VDD and VDDQ are less than 500mV; VREF may be equal to or less than 300mV.
4. DDR3 SDRAM component specification.

Caution Exposing the device to stress above those listed in Absolute Maximum Ratings could cause permanent damage. The device is not meant to be operated under conditions outside the limits described in the operational section of this specification Exposure to Absolute Maximum Rating conditions for extended periods may affect device reliability.

Operating Temperature Condition

| Parameter | Symbol | Rating | Unit | Notes |
|----------------------------|--------|----------|------|---------|
| Operating case temperature | TC | 0 to +95 | °C | 1, 2, 3 |

Notes: 1. Operating temperature is the case surface temperature on the center/top side of the DRAM.

2. The Normal Temperature Range specifies the temperatures where all DRAM specifications will be supported. During operation, the DRAM case temperature must be maintained between 0°C to +85°C under all operating conditions.
3. Some applications require operation of the DRAM in the Extended Temperature Range between +85°C and +95°C case temperature. Full specifications are guaranteed in this range, but the following additional conditions apply:
 - a) Refresh commands must be doubled in frequency, therefore reducing the refresh interval tREFI to 3.9μs. (This double refresh requirement may not apply for some devices.)
 - b) If Self-refresh operation is required in the Extended Temperature Range, then it is mandatory to either use the Manual Self-Refresh mode with Extended Temperature Range capability (MR2 bit [A6, A7] = [0, 1]) or enable the optional Auto Self-Refresh mode (MR2 bit [A6, A7] = [1, 0]).

Recommended DC Operating Conditions (TC = 0°C to +85°C)

| Parameter | Symbol | min. | typ. | max. | Unit | Notes |
|--------------------------------|-------------|--------------------|--------------------|--------------------|------|---------|
| Supply voltage | VDD, VDDQ | 1.425 | 1.5 | 1.575 | V | 1, 2, 3 |
| | VSS | 0 | 0 | 0 | V | 1 |
| | VDDSPD | 3.0 | 3.3 | 3.6 | V | |
| Input reference voltage | VREFCA (DC) | $0.49 \times VDDQ$ | $0.50 \times VDDQ$ | $0.51 \times VDDQ$ | V | 1, 4, 5 |
| Input reference voltage for DQ | VREFDQ (DC) | $0.49 \times VDDQ$ | $0.50 \times VDDQ$ | $0.51 \times VDDQ$ | V | 1, 4, 5 |
| Termination voltage | VTT | $VDDQ/2 - TBD$ | TBD | $VDDQ/2 + TBD$ | V | |

Notes: 1. DDR3 SDRAM component specification.

2. Under all conditions VDDQ must be less than or equal to VDD.
3. VDDQ tracks with VDD. AC parameters are measured with VDD and VDDQ tied together.
4. The AC peak noise on VREF may not allow VREF to deviate from VREF(DC) by more than $\pm 1\%$ VDD (for reference: approx ± 15 mV).
5. For reference: approx. $VDD/2 \pm 15$ mV.

DC Characteristics 1 (TC = 0°C to +85°C, VDD = 1.5V ± 0.075V, VSS = 0V)

| Parameter | Symbol | Data rate (Mbps) | max. | Unit | Notes |
|---|--------|------------------|------|------|--------------|
| Operating current (ACT-PRE) | IDD0 | 1066 | 2260 | mA | |
| | | 800 | 2040 | | |
| Operating current (ACT-READ-PRE) | IDD1 | 1066 | 2470 | mA | |
| | | 800 | 2260 | | |
| Precharge power-down standby current | IDD2PF | 1066 | 1520 | mA | Fast PD Exit |
| | | 800 | 1400 | | |
| | IDD2PS | 1066 | 1320 | mA | Slow PD Exit |
| | | 800 | 1230 | | |
| Precharge quiet standby current | IDD2Q | 1066 | 2020 | mA | |
| | | 800 | 1820 | | |
| Precharge standby current | IDD2N | 1066 | 2020 | mA | |
| | | 800 | 1820 | | |
| Active power-down current (Always fast exit) | IDD3P | 1066 | 1470 | mA | |
| | | 800 | 1360 | | |
| Active standby current | IDD3N | 1066 | 2050 | mA | |
| | | 800 | 1820 | | |
| Operating current (Burst read operating) | IDD4R | 1066 | 2970 | mA | |
| | | 800 | 2320 | | |
| Operating current (Burst write operating) | IDD4W | 1066 | 3140 | mA | |
| | | 800 | 2510 | | |
| Burst refresh current | IDD5B | 1066 | 3910 | mA | |
| | | 800 | 3740 | | |
| Self-refresh current normal temperature range | IDD6 | | 1300 | mA | |
| All bank interleave read current | IDD7R | 1066 | 3820 | mA | |
| | | 800 | 3490 | | |

AC Timing for IDD Test Conditions

For purposes of IDD testing, the following parameters are to be utilized.

| Parameter | DDR3-1066 | DDR3-800 | Unit |
|-----------------|-----------|----------|------|
| | 7-7-7 | 6-6-6 | |
| CL (IDD) | 7 | 6 | tCK |
| tCK min.(IDD) | 1.875 | 2.5 | ns |
| tRCD min. (IDD) | 13.13 | 15 | ns |
| tRC min. (IDD) | 50.63 | 52.5 | ns |
| tRAS min.(IDD) | 37.5 | 37.5 | ns |
| tRP min. (IDD) | 13.13 | 15 | ns |
| tFAW (IDD) | 37.5 | 40 | ns |
| tRRD (IDD) | 7.5 | 10 | ns |
| tRFC (IDD) | 110 | 110 | ns |

DC Characteristics 2 (TC = 0°C to +85°C, VDD, VDDQ = 1.5V ± 0.075V)

(DDR3 SDRAM Component Specification)

| Parameter | Symbol | Value | Unit | Notes |
|------------------------|--------|-------|------|------------------|
| Input leakage current | ILI | 2 | μA | VDD ≥ VIN ≥ VSS |
| Output leakage current | ILO | 5 | μA | DDQ ≥ VOUT ≥ VSS |

Pin Functions

CK, /CK (input pin)

CK and /CK are differential clock inputs. All address and control input signals are sampled on the crossing of the positive edge of CK and negative edge of /CK. Output (read) data is referenced to the crossings of CK and /CK (both directions of crossing).

/CS (input pin)

All commands are masked when /CS is registered high. /CS provides for external rank selection on systems with multiple ranks. /CS is considered part of the command code.

/RAS, /CAS, and /WE (input pins)

/RAS, /CAS and /WE (along with /CS) define the command being entered.

A0 to A15 (input pins)

Provided the row address for active commands and the column address for read/write commands to select one location out of the memory array in the respective bank. (A10(AP) and A12(/BC) have additional functions, see below) The address inputs also provide the op-code during mode register set commands.

[Address Pins Table]

Address (A0 to A13)

| Row address (RA) | Column address (CA) | Notes |
|------------------|---------------------|-------|
| AX0 to AX13 | AY0 to AY9 | |

A10(AP) (input pin)

A10 is sampled during read/write commands to determine whether auto-precharge should be performed to the accessed bank after the read/write operation. (high: auto-precharge; low: no auto-precharge)

A10 is sampled during a precharge command to determine whether the precharge applies to one bank (A10 = low) or all banks (A10 = high). If only one bank is to be precharged, the bank is selected by bank addresses (BA).

A12 (/BC) (input pin)

A12 is sampled during read and write commands to determine if burst chop (on-the-fly) will be performed.

(A12 = high: no burst chop, A12 = low: burst chopped.)

BA0 to BA2 (input pins)

BA0, BA1 and BA2 define to which bank an active, read, write or precharge command is being applied. BA0 and BA1 also determine if a mode register is to be accessed during a MRS cycle.

[Bank Select Signal Table]

| | BA0 | BA1 | BA2 |
|--------|-----|-----|-----|
| Bank 0 | L | L | L |
| Bank 1 | H | L | L |
| Bank 2 | L | H | L |
| Bank 3 | H | H | L |
| Bank 4 | L | L | H |
| Bank 5 | H | L | H |
| Bank 6 | L | H | H |
| Bank 7 | H | H | H |

Remark: H: VIH. L: VIL.

CKE (input pin)

CKE high activates, and CKE low deactivates, internal clock signals and device input buffers and output drivers. Taking CKE low provides precharge power-down and self-refresh operation (all banks idle), or active power-down (row active in any bank). CKE is asynchronous for self-refresh exit. After VREF has become stable during the power-on and initialization sequence, it must be maintained for proper operation of the CKE receiver. For proper self-refresh entry and exit, VREF must be maintained to this input. CKE must be maintained high throughout read and write accesses. Input buffers, excluding CK, /CK, ODT and CKE are disabled during power-down. Input buffers, excluding CKE, are disabled during self-refresh.

DQ and CB (input and output pins)

Bi-directional data bus.

DQS and /DQS (input and output pin)

Output with read data, input with write data. Edge-aligned with read data, centered in write data. The data strobe DQS is paired with differential signals /DQS to provide differential pair signaling to the system during READs and WRITEs.

ODT (input pins)

ODT (registered high) enables termination resistance internal to the DDR3 SDRAM. When enabled, ODT is only applied to each DQ, DQS, /DQS, DM. The ODT pin will be ignored if the mode register (MR1) is programmed to disable ODT.

DM (input pins)

DM is an input mask signal for write data. Input data is masked when DM is sampled high coincident with that input data during a write access. DM is sampled on both edges of DQS. For $\times 8$ configuration, the function of DM or TDQS, /TDQS is enabled by mode register A11 setting in MR1.

TDQS, /TDQS (output pins)

TDQS and /TDQS is applicable for $\times 8$ configuration only. When enabled via mode register A11 = 1 in MR1, DRAM will enable the same termination resistance function on TDQS, /TDQS that is applied to DQS, /DQS. When disabled via mode register A11 = 0 in MR1, DM/TDQS will provide the data mask function and /TDQS is not used. $\times 4/\times 16$ configuration must be disabled the TDQS function via mode register A11 = 0 in MR1.

VDD (power supply pins)

1.5V is applied. (VDD is for the internal circuit.)

VDDSPD (power supply pin)

3.3V is applied (For serial EEPROM).

VSS (power supply pin)

Ground is connected.

VTT (power supply pin)

Termination supply.

VREFDQ (power supply)

Reference voltage for DQ.

VREFCA (power supply)

Reference voltage for CA.

SCL (input pin)

Clock input for serial PD.

SDA (input and output pins)

Data input/output for serial PD.

SA (input pin)

Serial address input.

/RESET (input pin)

/RESET is negative active signal (active low) and is referred to GND.

Par_In (input pin)

Parity bit for the Address and Control bus.

/Err_Out (output pin)

Parity error found on the Address and Control bus.

/Event (output pin)

Temperature alert output.

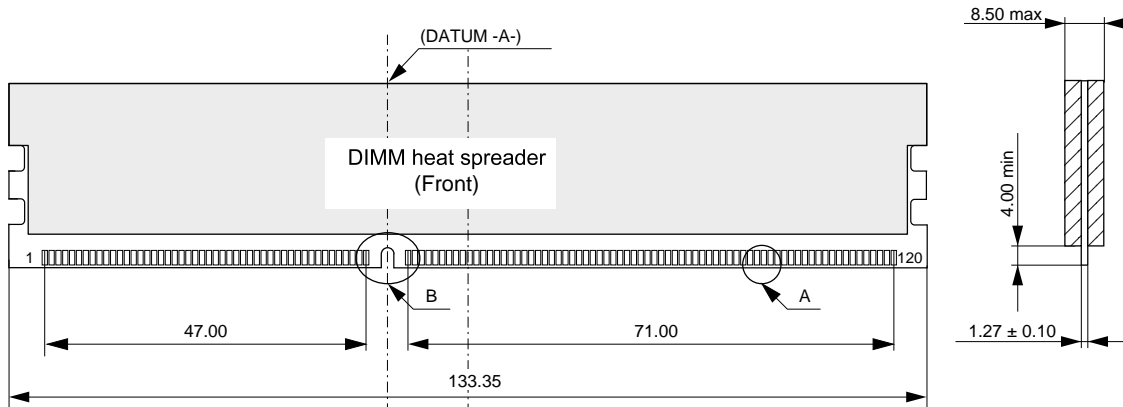
Detailed Operation Part, Electrical Characteristics and Timing Waveforms

Refer to the EDJ1104BASE, EDJ1108BASE, EDJ1116BASE datasheet (E1128E). DIMM /CAS latency = component CL + 1 for registered type.

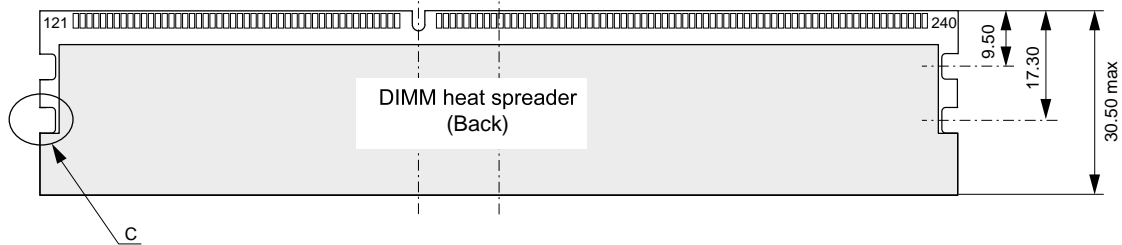
Physical Outline

Unit: mm

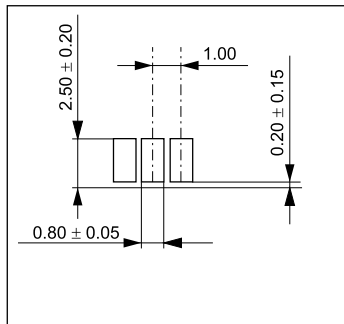
Front side



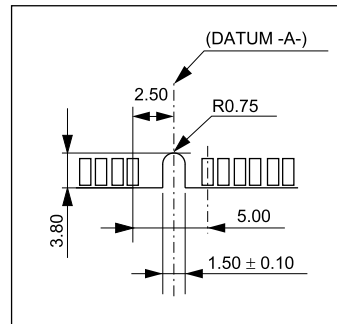
Back side



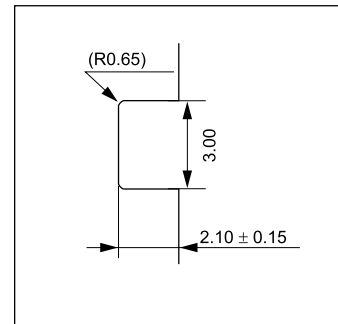
Detail A



Detail B



Detail C



ECA-TS2-0245-02

CAUTION FOR HANDLING MEMORY MODULES

When handling or inserting memory modules, be sure not to touch any components on the modules, such as the memory ICs, chip capacitors and chip resistors. It is necessary to avoid undue mechanical stress on these components to prevent damaging them.

In particular, do not push module cover or drop the modules in order to protect from mechanical defects, which would be electrical defects.

When re-packing memory modules, be sure the modules are not touching each other.

Modules in contact with other modules may cause excessive mechanical stress, which may damage the modules.

MDE0202

NOTES FOR CMOS DEVICES**① PRECAUTION AGAINST ESD FOR MOS DEVICES**

Exposing the MOS devices to a strong electric field can cause destruction of the gate oxide and ultimately degrade the MOS devices operation. Steps must be taken to stop generation of static electricity as much as possible, and quickly dissipate it, when once it has occurred. Environmental control must be adequate. When it is dry, humidifier should be used. It is recommended to avoid using insulators that easily build static electricity. MOS devices must be stored and transported in an anti-static container, static shielding bag or conductive material. All test and measurement tools including work bench and floor should be grounded. The operator should be grounded using wrist strap. MOS devices must not be touched with bare hands. Similar precautions need to be taken for PW boards with semiconductor MOS devices on it.

② HANDLING OF UNUSED INPUT PINS FOR CMOS DEVICES

No connection for CMOS devices input pins can be a cause of malfunction. If no connection is provided to the input pins, it is possible that an internal input level may be generated due to noise, etc., hence causing malfunction. CMOS devices behave differently than Bipolar or NMOS devices. Input levels of CMOS devices must be fixed high or low by using a pull-up or pull-down circuitry. Each unused pin should be connected to V_{DD} or GND with a resistor, if it is considered to have a possibility of being an output pin. The unused pins must be handled in accordance with the related specifications.

③ STATUS BEFORE INITIALIZATION OF MOS DEVICES

Power-on does not necessarily define initial status of MOS devices. Production process of MOS does not define the initial operation status of the device. Immediately after the power source is turned ON, the MOS devices with reset function have not yet been initialized. Hence, power-on does not guarantee output pin levels, I/O settings or contents of registers. MOS devices are not initialized until the reset signal is received. Reset operation must be executed immediately after power-on for MOS devices having reset function.

CME0107

The information in this document is subject to change without notice. Before using this document, confirm that this is the latest version.

No part of this document may be copied or reproduced in any form or by any means without the prior written consent of Elpida Memory, Inc.

Elpida Memory, Inc. does not assume any liability for infringement of any intellectual property rights (including but not limited to patents, copyrights, and circuit layout licenses) of Elpida Memory, Inc. or third parties by or arising from the use of the products or information listed in this document. No license, express, implied or otherwise, is granted under any patents, copyrights or other intellectual property rights of Elpida Memory, Inc. or others.

Descriptions of circuits, software and other related information in this document are provided for illustrative purposes in semiconductor product operation and application examples. The incorporation of these circuits, software and information in the design of the customer's equipment shall be done under the full responsibility of the customer. Elpida Memory, Inc. assumes no responsibility for any losses incurred by customers or third parties arising from the use of these circuits, software and information.

[Product applications]

Be aware that this product is for use in typical electronic equipment for general-purpose applications. Elpida Memory, Inc. makes every attempt to ensure that its products are of high quality and reliability. However, users are instructed to contact Elpida Memory's sales office before using the product in aerospace, aeronautics, nuclear power, combustion control, transportation, traffic, safety equipment, medical equipment for life support, or other such application in which especially high quality and reliability is demanded or where its failure or malfunction may directly threaten human life or cause risk of bodily injury.

[Product usage]

Design your application so that the product is used within the ranges and conditions guaranteed by Elpida Memory, Inc., including the maximum ratings, operating supply voltage range, heat radiation characteristics, installation conditions and other related characteristics. Elpida Memory, Inc. bears no responsibility for failure or damage when the product is used beyond the guaranteed ranges and conditions. Even within the guaranteed ranges and conditions, consider normally foreseeable failure rates or failure modes in semiconductor devices and employ systemic measures such as fail-safes, so that the equipment incorporating Elpida Memory, Inc. products does not cause bodily injury, fire or other consequential damage due to the operation of the Elpida Memory, Inc. product.

[Usage environment]

Usage in environments with special characteristics as listed below was not considered in the design. Accordingly, our company assumes no responsibility for loss of a customer or a third party when used in environments with the special characteristics listed below.

Example:

- 1) Usage in liquids, including water, oils, chemicals and organic solvents.
- 2) Usage in exposure to direct sunlight or the outdoors, or in dusty places.
- 3) Usage involving exposure to significant amounts of corrosive gas, including sea air, CL₂, H₂S, NH₃, SO₂, and NO_x.
- 4) Usage in environments with static electricity, or strong electromagnetic waves or radiation.
- 5) Usage in places where dew forms.
- 6) Usage in environments with mechanical vibration, impact, or stress.
- 7) Usage near heating elements, igniters, or flammable items.

If you export the products or technology described in this document that are controlled by the Foreign Exchange and Foreign Trade Law of Japan, you must follow the necessary procedures in accordance with the relevant laws and regulations of Japan. Also, if you export products/technology controlled by U.S. export control regulations, or another country's export control laws or regulations, you must follow the necessary procedures in accordance with such laws or regulations.

If these products/technology are sold, leased, or transferred to a third party, or a third party is granted license to use these products, that third party must be made aware that they are responsible for compliance with the relevant laws and regulations.

M01E0706